

MATERIAL: SEE PART DWGS.
 DRAWN: BAB CHECKED: X
 SCALE: NONE DATE: 09/21/95

LARK - RELIANCE CORP.
 STRONGSVILLE, OHIO, U.S.A.

ASSEMBLY, WELD
 FLANGED EDUCTOR

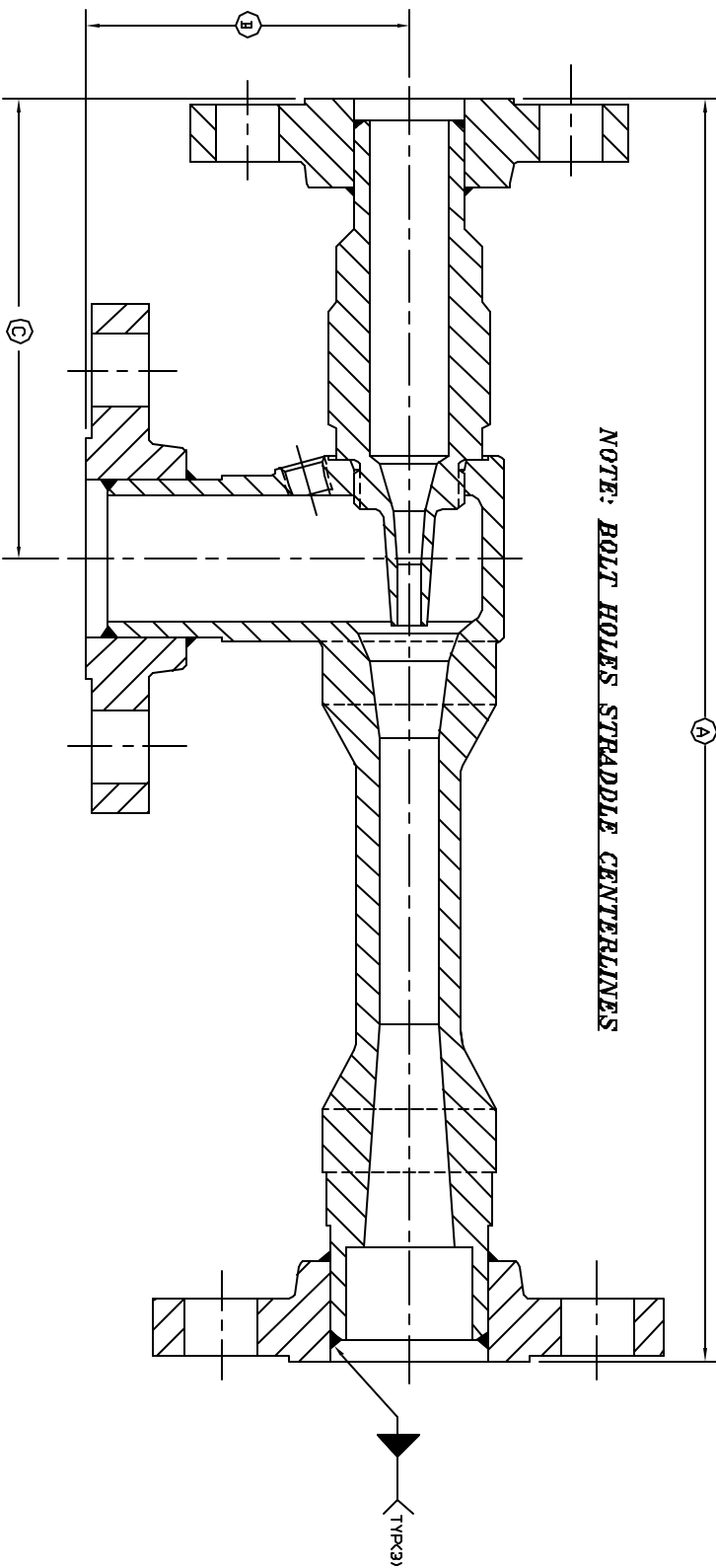
DRAWING
 NUMBER:
 A-3855

REV.
 1

PART NO.: TA 3855-

TOLERANCE CLASS: N/A

ALL TOLERANCES ±.125



(BUTT WELD CONNECTIONS W/SLIP-ON FLANGES SHOWN)

P/N	MODEL	SIZE	INCHES (mm)		
			A 150# & 300# FLANGE	B 150# & 300# FLANGE	C 150# & 300# FLANGE
-1	SL,ML,HL,SG,HG,MLH,UL,MLE	1/2	7.00 (178)	2.25 (57)	3.12 (79)
-2	SL		8.75 (222)	2.62 (67)	3.75 (95)
-3	ML,HL,SG,HG,MLH,UL,MLE	3/4	9.00 (229)	2.62 (67)	4.00 (102)
-4	SL,ML,HL,SG,HG,MLH,UL,MLE	1	10.62 (270)	3.00 (76)	4.50 (114)
-5	SL,ML,HL,SG,HG,MLH,UL,MLE	1 1/4	12.86 (327)	3.62 (92)	5.00 (127)
-6	SL,ML,HL,SG,HG,MLH,UL,MLE	1 1/2	15.12 (384)	3.88 (98)	5.50 (140)
-7	SL,ML,HL,SG,HG,MLH,UL,MLE	2	19.00 (483)	4.38 (111)	6.38 (162)
-8	SL,ML,HL,SG,HG,MLH,UL,MLE	2 1/2	23.75 (603)	6.00 (152)	7.25 (184)
-9	SL,ML,HL,SG,HG,MLH,UL,MLE	3	30.00 (762)	6.88 (175)	8.25 (210)

NOTE: MODEL'S SL, ML, HL, SG, HG, MLH, MLE SIZE 1/2 HAVE NO FLANGE ON NOZZLE END
 MODEL SL SIZE 3/4 HAS NO FLANGE ON NOZZLE END